

## Description

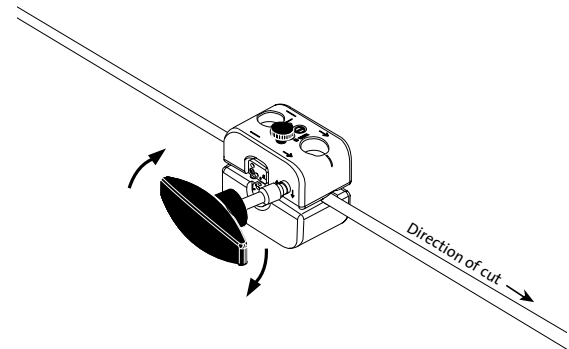
Corning Cable Systems manufactures a full line of products designed to quickly, easily and safely access Corning Cable Systems fiber optic cables in mid-span situations. These products allow the user to enter a cable and access one or more fibers, without disturbing the continuity of other fibers at that location. Drop cables can be spliced without disturbing working traffic on other fibers.

## UAT3-000

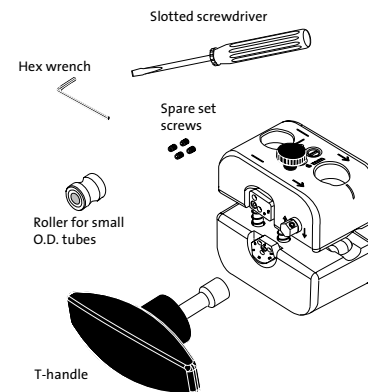
The Universal Access Tool (UAT3) simplifies a mid-span access on any Corning Cable Systems single-tube fiber optic cable product, such as SST cable, as well as ribbon cable. Unlike other access tools requiring strength and awkward handling, the UAT3's design allows controlled movement. Its unique drive mechanism easily pulls the tool along the tube as the T-handle is turned. As the tool passes down a length of tube, two blades on opposite sides of the tool score the outside of the tube. These precise cuts on the outside of the tube may then be split to expose the bundled or ribbon fibers inside.

The UAT3 provides an easy and reliable method to access fibers. The concern of accessing dark fibers among “hot fibers” for adding a customer drop is no longer an ordeal.

The UAT3 is compatible with single-tube products having outside diameters of 4.5 mm to 22.0 mm.



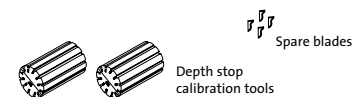
Universal Access Tool (UAT3) | Drawing CPC-220/4/20



Universal Access Tool Gauge Card

| Cable Type         | Tube Diameter | UAT Roller Size | Blade Setting | Tool Settings   |
|--------------------|---------------|-----------------|---------------|-----------------|
|                    |               |                 |               | Shallow<br>Deep |
| AA40-BUNDLE        | 4 mm          | small           | A             | 4 D loose       |
| SST-Micro          | 5 mm          | small           | B             | 6 D upper       |
| AA40-BUNDLE Ribbon | 7 mm          | small           | C             | 7 D             |
| SST-10T-Ribbon     | 8 mm          | small           | D             | 8 D             |
| SST-Ribbon         | 11 mm         | large           | E             | 11 D            |
| SST-Ultra-Ribbon   | 14 mm         | large           | F             | 4 10            |

pin 3230274-01



Complete UAT3-000 Kit | Drawing CPC-220/4/21

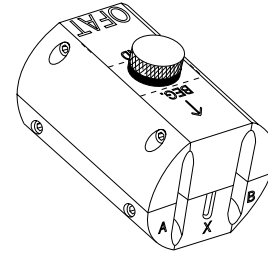
# Fiber Access Tools

A LANscape® Solutions Product

Corning  
Cable Systems

## OFT-000

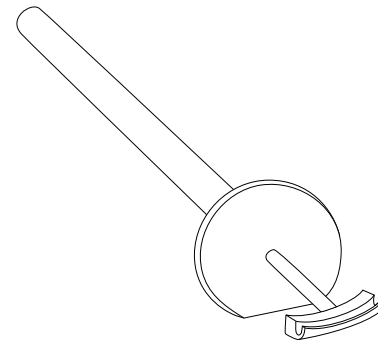
The Optical Fiber Access Tool (OFAT) is designed to provide mid-span fiber access in standard Corning Cable Systems ALTOS® Cables. This rugged hand tool will accommodate buffer tubes from 2.4 to 3.0 mm. The OFAT clamps over a buffer tube. As the tool is pulled along the buffer tube, two offset blades slit the tube without damaging fibers inside.



OFT-000 Optical Fiber Access Tool (OFAT) | Drawing CPC-220/4/22

## NFT-000

The No-Slack Optical Fiber Access Tool (NOFAT) is suitable for locations where no cable slack can be obtained and the buffer tubes must be accessed while remaining wrapped around the central member. The NOFAT's unique design allows buffer tubes to be entered in this situation. The tool provides a guide to allow a scalpel to slice the top off a buffer tube without cutting through the tube or fibers. The NOFAT is compatible with standard Corning Cable Systems ALTOS Cable buffer tube sizes.

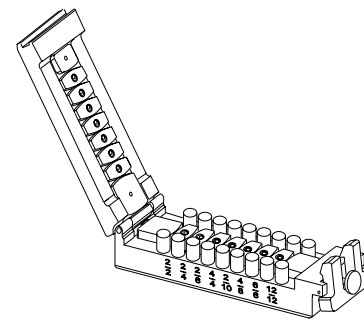


NFT-000 No-Slack Optical Fiber Access Tool (NOFAT) | Drawing CPC-220/4/23

## RST-000

The Ribbon Splitting Tool is designed to allow separation of 12- and 24- fiber ribbons into smaller ribbons. The tool closes around the ribbon fibers as the ribbon settles into the proper slot. With actuator depressed, the tool slides along a length of the ribbon, separating the length of ribbon that is needed into smaller-count ribbons.

Multiple slots on the tool offer the ability to separate the original ribbon into two different ribbons with varying fiber counts. The tool has slots to separate the ribbon into the following smaller ribbon fiber counts: 2/2, 2/4, 2/6, 4/4, 2/10, 4/8, 6/6 and 12/12.



RST-000 Ribbon Splitting Tool | Drawing CPC-220/4/24

## Ordering Information

| Part Number            | Description   |
|------------------------|---|
| <b><i>UAT3-000</i></b> |   |
| <b>UAT3-000</b>        | Universal Access Tool for accessing fibers mid-span in a Corning Cable Systems single-tube fiber optic cable product; accommodates tubes with outside diameters of 4.5 mm to 22.0 mm; kit contents: <ul style="list-style-type: none"> <li>• Carrying Case</li> <li>• Universal Access Tool</li> <li>• Tube Sizing Rollers (1 small, 1 large)</li> <li>• Replacement Blades</li> <li>• Corning Cable Systems Standard Recommended Procedure</li> <li>• Blade Depth Gauge (1)</li> <li>• T-Handle</li> <li>• Hex Wrench</li> </ul> |
| <b>UAT-001</b>         | Consumable Kit for Universal Access Tool; kit contents: <ul style="list-style-type: none"> <li>• Replacement Blades</li> <li>• Spare Set Screws</li> <li>• Hex Wrench</li> <li>• Spare Compression Spring</li> </ul>  |
| <b><i>OFT-000</i></b>  |   |
| <b>OFT-000</b>         | Optical Fiber Access Tool (OFAT) for accessing fibers in a buffer tube mid-span; accommodates buffer tubes with outside diameters of 2.4 mm to 3.0 mm   |
| <b>OFT-001</b>         | OFAT Replacement Blades - Set of four   |
| <b><i>NFT-000</i></b>  |   |
| <b>NFT-000</b>         | No-Slack Optical Fiber Access Tool (NOFAT) for accessing fibers in a buffer tube mid-span with no cable slack; accommodates buffer tubes with outside diameters of 2.4 to 3.0 mm; includes scalpel with blade, plastic box and two replacement blades   |
| <b>NFT-001</b>         | NOFAT Replacement Blades - Quantity of five   |
| <b><i>RST-000</i></b>  |   |
| <b>RST-000</b>         | Ribbon Splitting Tool for separating ribbons in mid-span or at the cable end  |

**Corning Cable Systems LLC • PO Box 489 • Hickory, NC 28603-0489 USA**  
**1-800-743-2675 • FAX: +1-828-901-5973 • International: +1-828-901-5000 • <http://www.corning.com/cablesystems>**

Corning Cable Systems reserves the right to improve, enhance and modify the features and specifications of Corning Cable Systems' products without prior notification. ALTOS and LANscape are registered trademarks of Corning Cable Systems Brands, Inc. Discovering Beyond Imagination is a trademark of Corning Incorporated. All other trademarks are the properties of their respective owners. Corning Cable Systems is ISO 9001 certified. © 2001, 2003 Corning Cable Systems. All rights reserved. Published in the USA. LAN-332-EN / February 2003 / pdf

